

M12-A Circular Connector

60/125/250V 2/4A

Technical characteristics

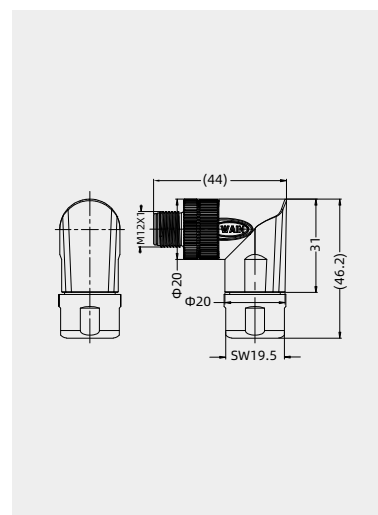
	3-pole	4-pole	5-pole	8-pole
Rated current (40°C)	4A	4A	4A	2A
Rated voltage	250V	250V	125V	60V
Rated impulse voltage	2500V	2500V	1500V	800V
Pollution degree	3	3	3	3
Overvoltage categorie	II	II	II	II
Contact resistance	≤ 10 mΩ	≤ 10 mΩ	≤ 10 mΩ	≤ 10 mΩ
Connector locking system	screw M12x1	screw M12x1	screw M12x1	screw M12x1
Termination	screw/solder	screw/solder	screw/solder	solder
Wire gauge	max.0.75mm ² (max.AWG18)	max.0.75mm ² (max.AWG18)	max.0.75mm ² (max.AWG18)	max.0.75mm ² (max.AWG18)
Cable outlet	4-6,6-8 mm	4-6,6-8 mm	4-6,6-8 mm	4-6,6-8 mm
Degree of protection	IP67	IP67	IP67	IP67
Mechanical operation	> 100	> 100	> 100	> 100
Limiting temperature	-40°C ...+85°C	-40°C ...+85°C	-40°C ...+85°C	-40°C ...+85°C
Material group	III	III	III	III
Material of contact	copper alloy	copper alloy	copper alloy	copper alloy
Contact plating	Au	Au	Au	Au
Insulating material	PA	PA	PA	PA
Material of housing	zinc diecasting nickel plated	zinc diecasting nickel plated	zinc diecasting nickel plated	zinc diecasting nickel plated

Angled cable connectors, shielded

Male angled connector, shielded,
screw clamp connection,
version with shielding ring



Contacts	Cable outlet	Designation	Order No.
3	4-6 mm	M12-M03A-S-D6-SH	163 003 414 2001
	6-8 mm	M12-M03A-S-D8-SH	163 003 514 2001
4	4-6 mm	M12-M04A-S-D6-SH	163 004 511 2001
	6-8 mm	M12-M04A-S-D8-SH	163 004 511 2002
5	4-6 mm	M12-M05A-S-D6-SH	163 005 511 2001
	6-8 mm	M12-M05A-S-D8-SH	163 005 511 2002



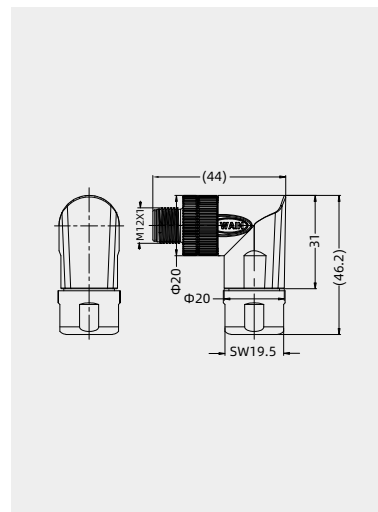
A-Code



Male angled connector, shielded,
solder, version with shielding ring



Contacts	Cable outlet	Designation	Order No.
3	4-6 mm	M12-MST03A-S-D6-SH	163 003 513 2500
	6-8 mm	M12-MST03A-S-D8-SH	163 003 513 2501
4	4-6 mm	M12-MST04A-S-D6-SH	163 004 513 2500
	6-8 mm	M12-MST04A-S-D8-SH	163 004 513 2501
5	4-6 mm	M12-MST05A-S-D6-SH	163 005 513 2500
	6-8 mm	M12-MST05A-S-D8-SH	163 005 513 2501
8	4-6 mm	M12-MST08A-S-D6-SH	163 008 513 2500
	6-8 mm	M12-MST08A-S-D8-SH	163 008 513 2501



A-Code

